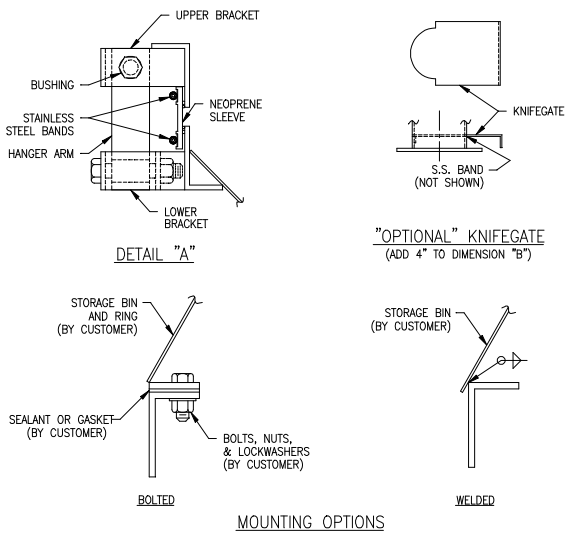
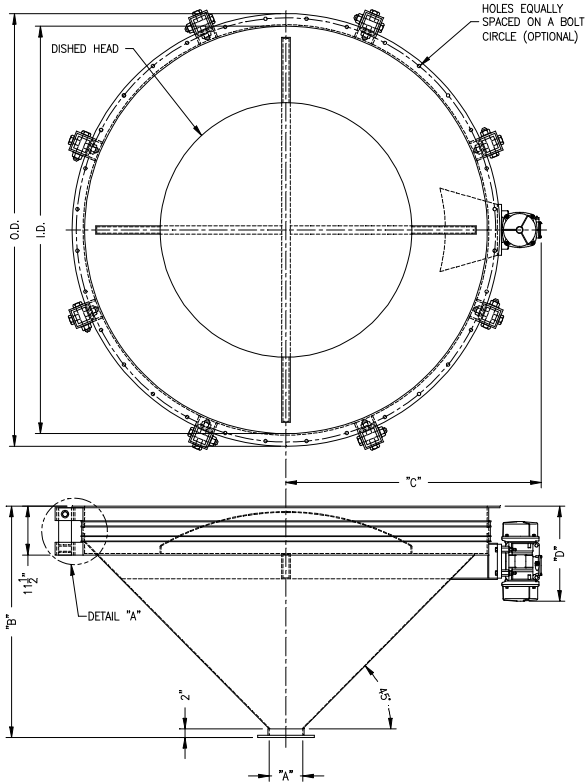


## PITTSBURGH TANK STANDARD BIN ACTIVATOR DIMENSIONS



DIA	O.D.	I.D.	HP	No. OF HANGERS
2'	2'-6"	2'-0"	.5	3
3'	3'-6"	3'-0"	.75	3
4'	4'-6"	4'-0"	.75	4
5'	5'-6"	5'-0"	1.5	4
6'	6'-6"	6'-0"	1.5	5
8'	8'-6"	8'-0"	3.0	8
10'	10'-6"	10'-0"	4.0	12

DIA	"A"	"B"	"C"	"D"
2'	8"	1'-6 <sup>1</sup> / <sub>2</sub> "	1'-10 <sup>9</sup> / <sub>16</sub> "	1'-6 <sup>1</sup> / <sub>8</sub> "
3'	8"	2'-0 <sup>1</sup> / <sub>2</sub> "	2'-5 <sup>9</sup> / <sub>16</sub> "	1'-7 <sup>15</sup> / <sub>16</sub> "
4'	8"	2'-6 <sup>1</sup> / <sub>2</sub> "	2'-11 <sup>3</sup> / <sub>4</sub> "	1'-8 <sup>1</sup> / <sub>4</sub> "
5'	8"	3'-0 <sup>1</sup> / <sub>2</sub> "	3'-6 <sup>13</sup> / <sub>16</sub> "	1'-10"
6'	8"	3'-6 <sup>1</sup> / <sub>2</sub> "	4'-0 <sup>13</sup> / <sub>16</sub> "	1'-10"
8'	8"	4'-6 <sup>1</sup> / <sub>2</sub> "	5'-1 <sup>12</sup> / <sub>16</sub> "	2'-0 <sup>1</sup> / <sub>8</sub> "
10'	8"	6'-1 <sup>1</sup> / <sub>8</sub> "	6'-1 <sup>15</sup> / <sub>16</sub> "	2'-0 <sup>1</sup> / <sub>8</sub> "

DIA.	"A"	"B"	DIA.	"A"	"B"
2'	6"	1'-7 <sup>1</sup> / <sub>2</sub> "	6'	8"	3'-6 <sup>1</sup> / <sub>2</sub> "
	8"	1'-6 <sup>1</sup> / <sub>2</sub> "		10"	3'-5 <sup>1</sup> / <sub>2</sub> "
	10"	1'-5 <sup>1</sup> / <sub>2</sub> "		12"	3'-4 <sup>1</sup> / <sub>2</sub> "
3'	6"	2'-1 <sup>1</sup> / <sub>2</sub> "	8'	14"	3'-3 <sup>7</sup> / <sub>8</sub> "
	8"	2'-0 <sup>1</sup> / <sub>2</sub> "		16"	3'-2 <sup>7</sup> / <sub>8</sub> "
	10"	1'-11 <sup>1</sup> / <sub>2</sub> "		18"	3'-1 <sup>7</sup> / <sub>8</sub> "
	12"	1'-10 <sup>1</sup> / <sub>2</sub> "		20"	3'-0 <sup>7</sup> / <sub>8</sub> "
	14"	1'-9 <sup>7</sup> / <sub>8</sub> "		8"	4'-6 <sup>1</sup> / <sub>2</sub> "
4'	6"	2'-7 <sup>1</sup> / <sub>2</sub> "	10'	10"	4'-5 <sup>1</sup> / <sub>2</sub> "
	8"	2'-6 <sup>1</sup> / <sub>2</sub> "		12"	4'-4 <sup>1</sup> / <sub>2</sub> "
	10"	2'-5 <sup>1</sup> / <sub>2</sub> "		14"	4'-3 <sup>7</sup> / <sub>8</sub> "
	12"	2'-4 <sup>1</sup> / <sub>2</sub> "		16"	4'-2 <sup>7</sup> / <sub>8</sub> "
	14"	2'-3 <sup>3</sup> / <sub>8</sub> "		18"	4'-1 <sup>7</sup> / <sub>8</sub> "
	16"	2'-2 <sup>2</sup> / <sub>8</sub> "		20"	4'-0 <sup>7</sup> / <sub>8</sub> "
5'	6"	3'-1 <sup>1</sup> / <sub>2</sub> "	10'	10"	5'-5 <sup>1</sup> / <sub>2</sub> "
	8"	3'-0 <sup>1</sup> / <sub>2</sub> "		12"	5'-4 <sup>1</sup> / <sub>2</sub> "
	10"	2'-11 <sup>1</sup> / <sub>2</sub> "		14"	5'-3 <sup>7</sup> / <sub>8</sub> "
	12"	2'-10 <sup>1</sup> / <sub>2</sub> "		16"	5'-2 <sup>7</sup> / <sub>8</sub> "
	14"	2'-9 <sup>7</sup> / <sub>8</sub> "		18"	5'-1 <sup>7</sup> / <sub>8</sub> "
	16"	2'-8 <sup>7</sup> / <sub>8</sub> "		20"	5'-0 <sup>7</sup> / <sub>8</sub> "
			24"	4'-11 <sup>7</sup> / <sub>8</sub> "	

DIA.	HOLE REQUIREMENTS FOR B.C.OPTION
2'	(12) 1 <sup>1</sup> / <sub>16</sub> " dia. equally spaced on a 2'-4" B.C.(optional)
3'	(12) 1 <sup>1</sup> / <sub>16</sub> " dia. equally spaced on a 3'-4" B.C.(optional)
4'	(16) 1 <sup>1</sup> / <sub>16</sub> " dia. equally spaced on a 4'-4" B.C.(optional)
5'	(16) 1 <sup>1</sup> / <sub>16</sub> " dia. equally spaced on a 5'-4" B.C.(optional)
6'	(20) 1 <sup>1</sup> / <sub>16</sub> " dia. equally spaced on a 6'-4" B.C.(optional)
8'	(32) 1 <sup>3</sup> / <sub>16</sub> " dia. equally spaced on a 8'-4" B.C. (optional)
10'	(36) 1 <sup>1</sup> / <sub>8</sub> " dia. equally spaced on a 10'-3 <sup>1</sup> / <sub>4</sub> " B.C. (optional)

- Dimensions are reference only. Do not use for construction.
- Contact Pittsburgh Tank for optional vibrator horsepower and electrical requirements.
- Additional bin activator sizes not listed available upon request.