

8

7

6

5

4

3

2

1

D

D

C

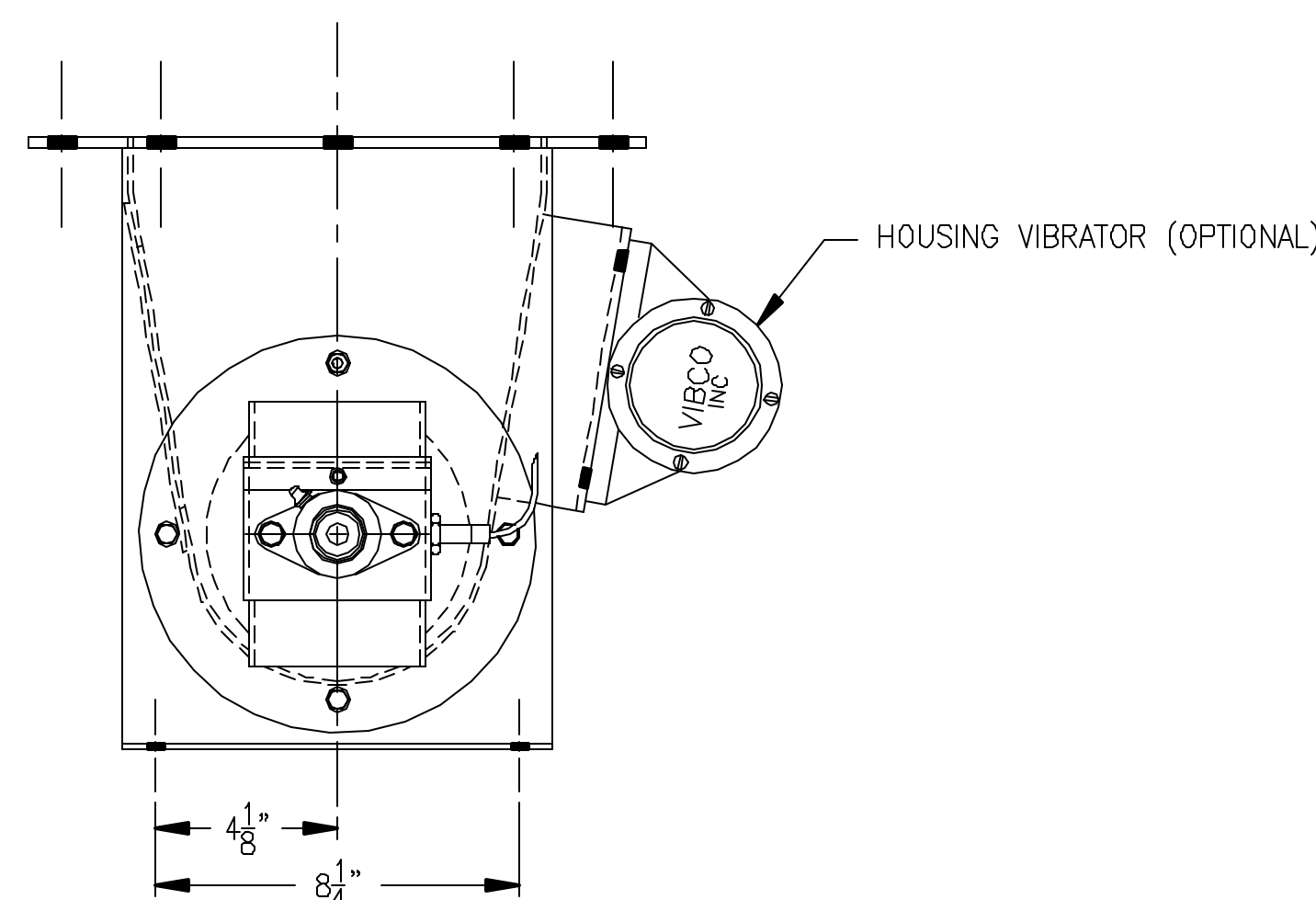
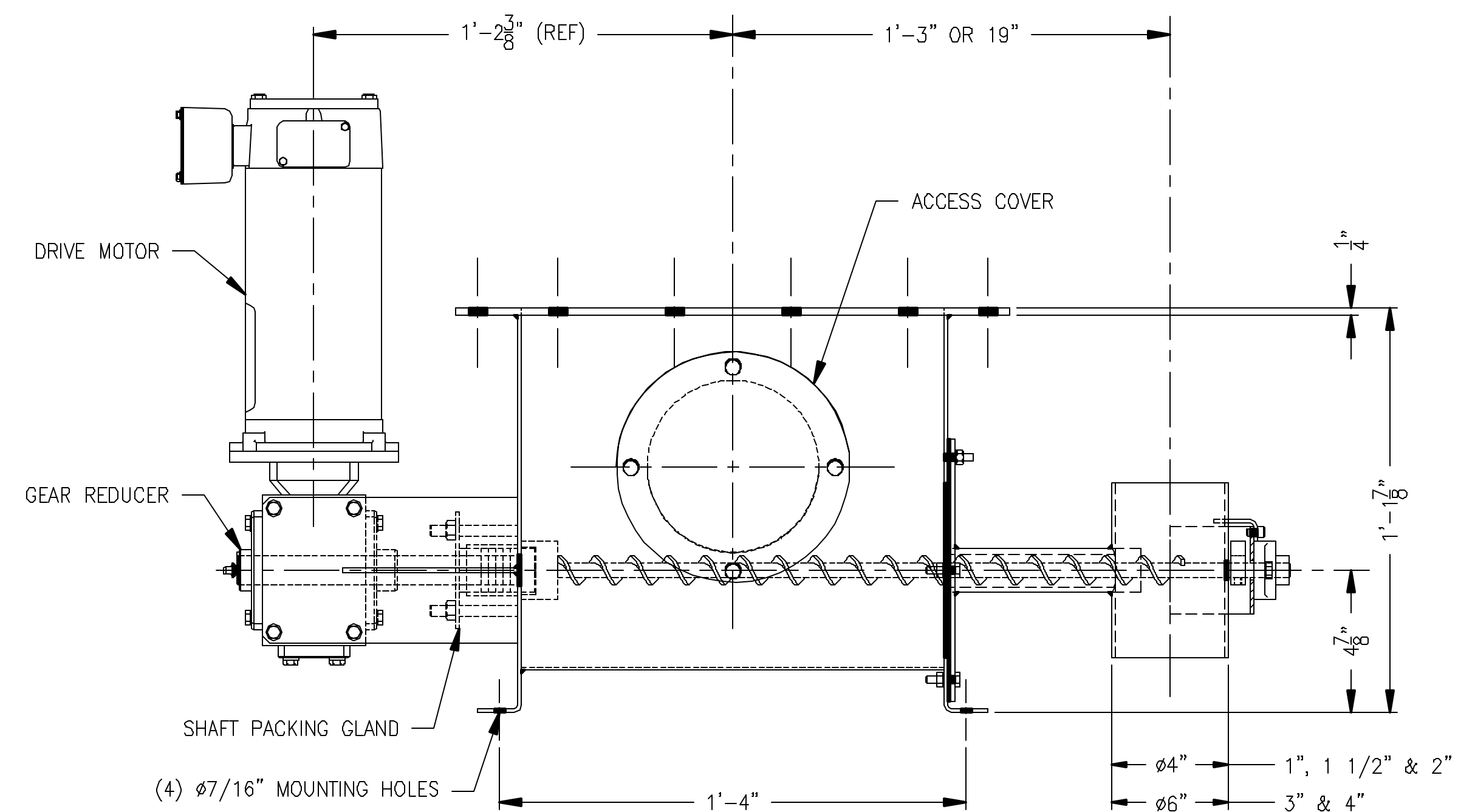
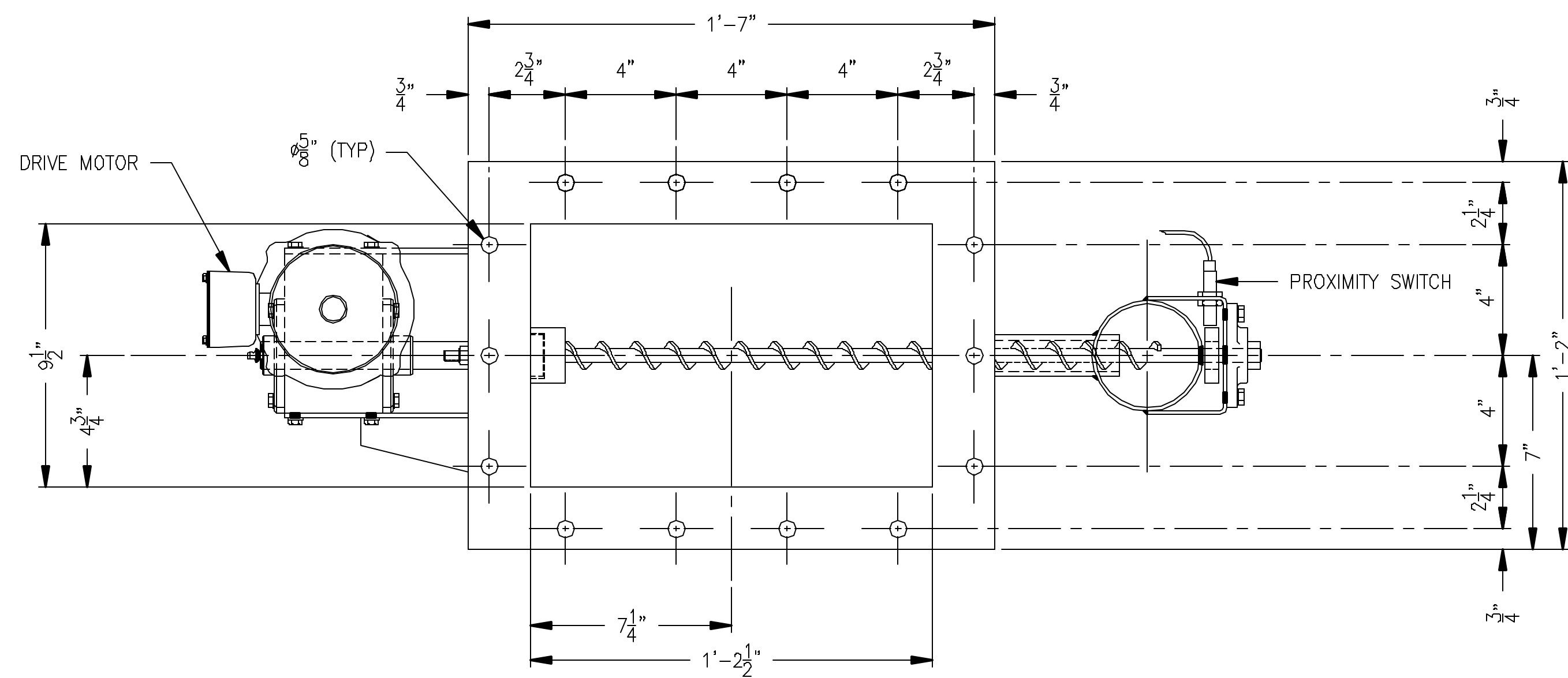
C

B

B

A

A



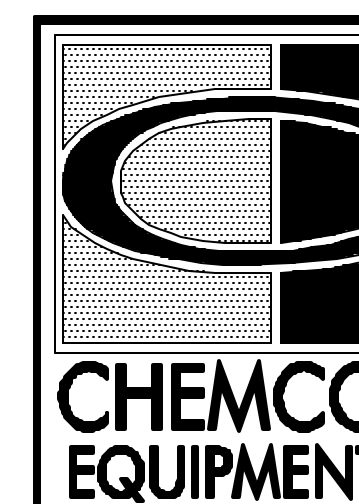
NOTE: DIMENSIONS SUBJECT TO CHANGE WITHOUT NOTIFICATION. CONSULT CONTRACT DRAWINGS FOR CERTIFIED DIMENSIONS.

THIS DRAWING AND ALL INFORMATION THEREON CONTAIN CONFIDENTIAL AND PROPRIETARY INFORMATION AND IS THE EXCLUSIVE PROPERTY OF CHEMCO EQUIPMENT CO. IT MUST NOT BE MADE PUBLIC OR COPIED WITHOUT THE AUTHORIZATION OF CHEMCO AND IS SUBJECT TO RETURN UPON DEMAND.

CHEMCO EQUIPMENT CO.  
1500 INDUSTRIAL DRIVE MONONGAHELA, PA

SHT. DESCRIPTION: DIMENSIONAL OUTLINE

DWG. DESCRIPTION: CHEMCO VOLUMETRIC SCREW FEEDER



DATE	REV	ZONE	REMARKS

SCALE: 3" = 1'-0"  
DATE: JUNE 12, 2000  
DRWN BY: JG

D

8

7

6

5

4

3

2

1