

8

7

6

5

4

3

2

1

ITEM NUMBER	QTY	DESCRIPTION
1	1	FEEDER DISCHARGE ADAPTER
2	1	2" WIDE VINYL SLEEVE WITH VELCRO
3	1	PROXIMITY SWITCH
4	1	SPECIALTY FOOD GRADE GREASE
5	1	PROXIMITY SWITCH COUPLING WITH SETSCREW - (OPTIONAL)
6	1	SHAFT BEARING
7	1	FEEDER DISCHARGE SPOUT
7A	1	SPOUT RUBBER GASKET
8	1	FEEDER AUGER SHAFT
9	1	FEEDER BODY HOUSING
10	1	FEEDER BODY ACCESS COVER
10A	1	ACCESS COVER RUBBER GASKET
11	1	FEEDER BODY VIBRATOR - (OPTIONAL)
12	1	AUGER SHAFT PACKING
13	1	SHAFT PACKING COMPRESSION PLATE
14	1	HELICAL-WORM GEAR REDUCER
15	1	PERMANENT MAGNET DIRECT CURRENT MOTOR
16	1	SQUARE KEY
17	1	GREASE FITTING

D

D

C

C

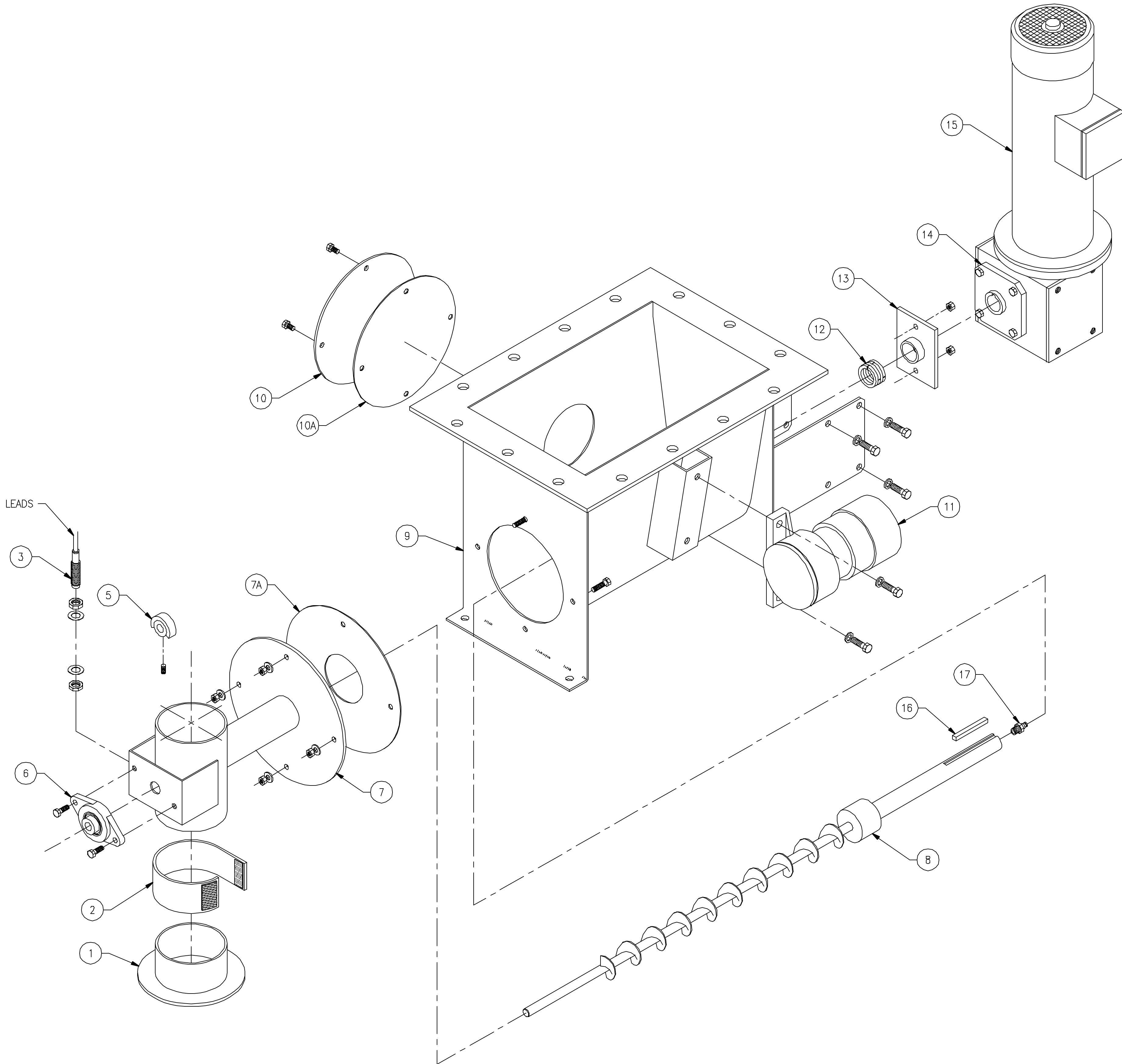
B

B

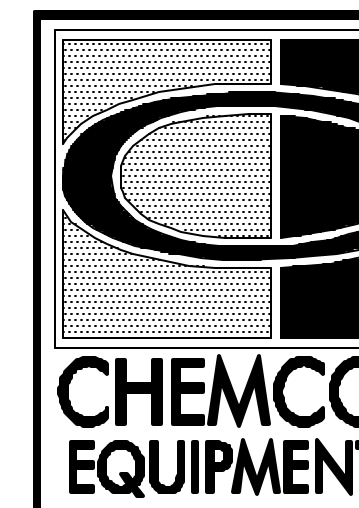
A

A

ELECTRICAL LEADS



THIS DRAWING AND ALL INFORMATION THEREON CONTAIN CONFIDENTIAL AND PROPRIETARY INFORMATION AND IS THE EXCLUSIVE PROPERTY OF CHEMCO EQUIPMENT CO. IT MUST NOT BE MADE PUBLIC OR COPIED WITHOUT THE AUTHORIZATION OF CHEMCO AND IS SUBJECT TO RETURN UPON DEMAND.



DATE	REV	ZONE	REMARKS
SCALE:			3" = 1'-0"
DATE:			JUNE 12, 2000
DRWN BY:			JG

CHEMCO EQUIPMENT CO. 1500 INDUSTRIAL DRIVE MONONGAHELA, PA	
SHT. DESCRIPTION:	ISOMETRIC
DWG. DESCRIPTION:	CHEMCO VOLUMETRIC SCREW FEEDER
	D

8

7

6

5

4

3

2

1